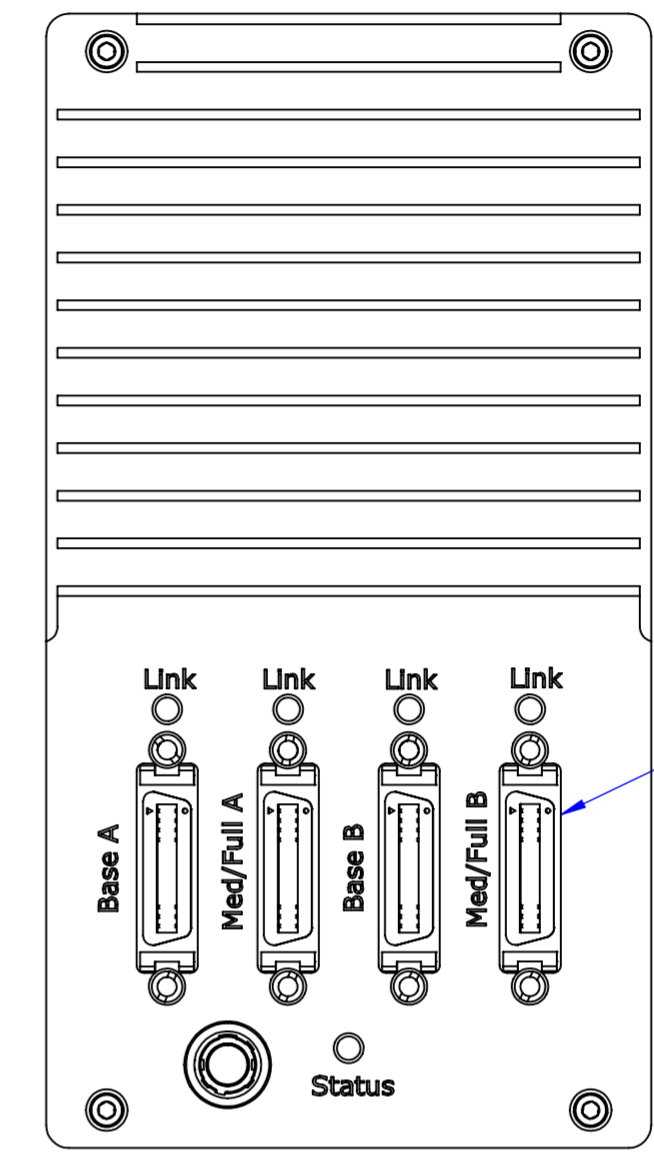
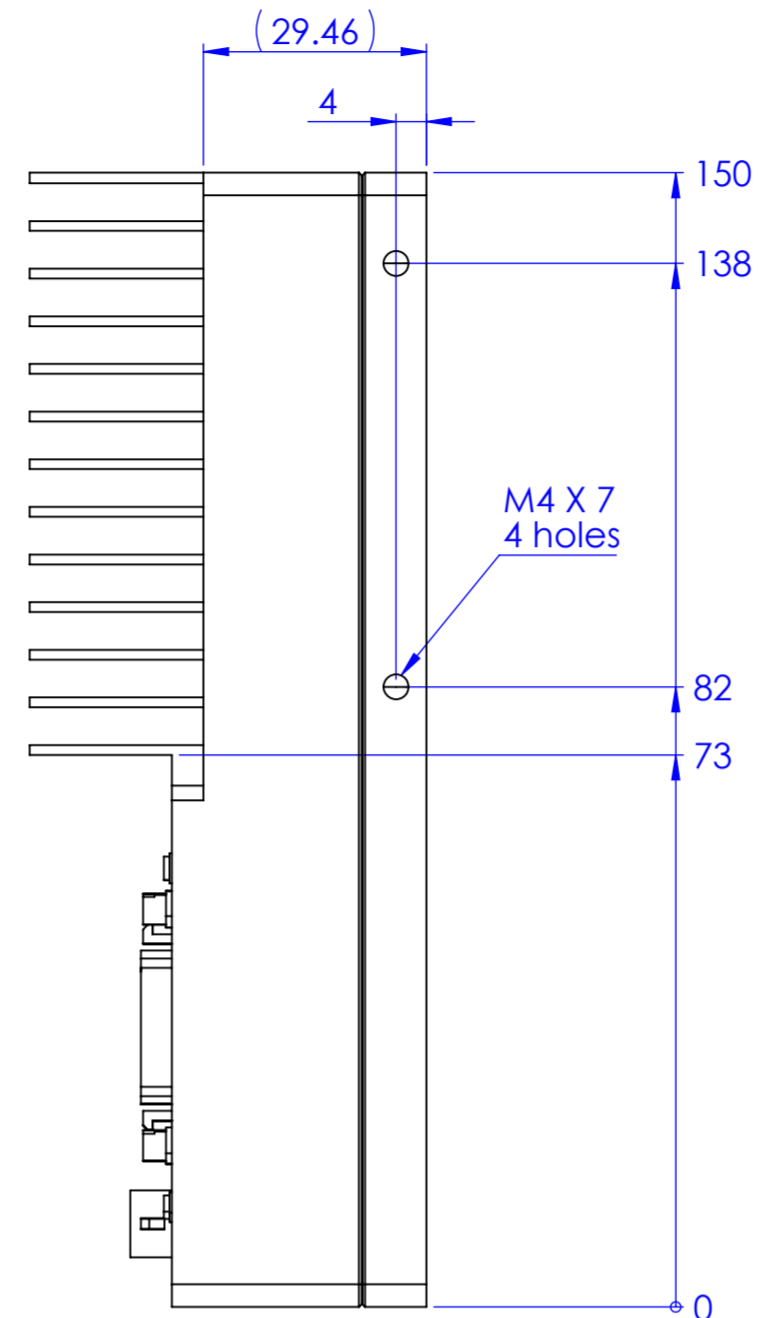
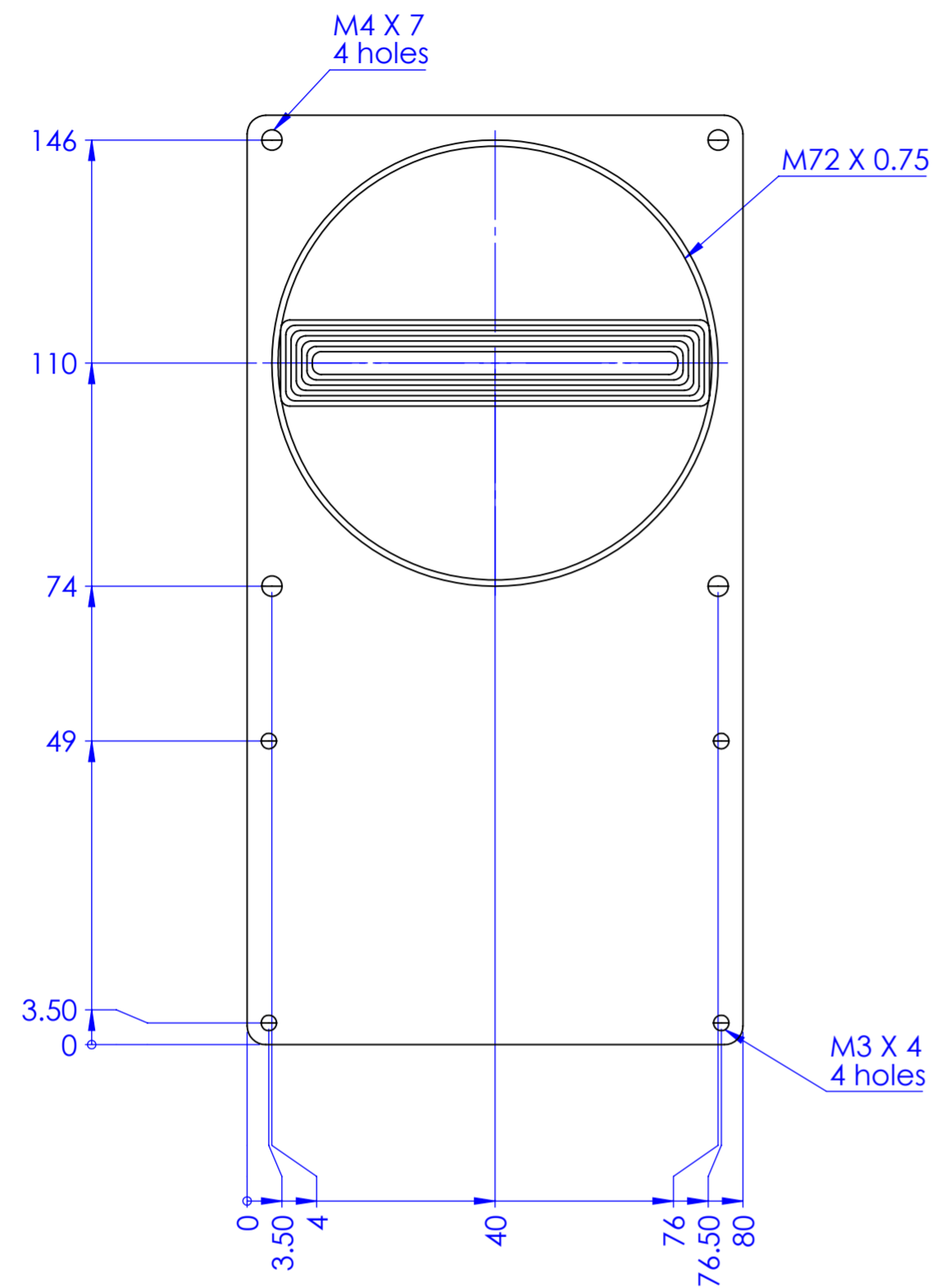
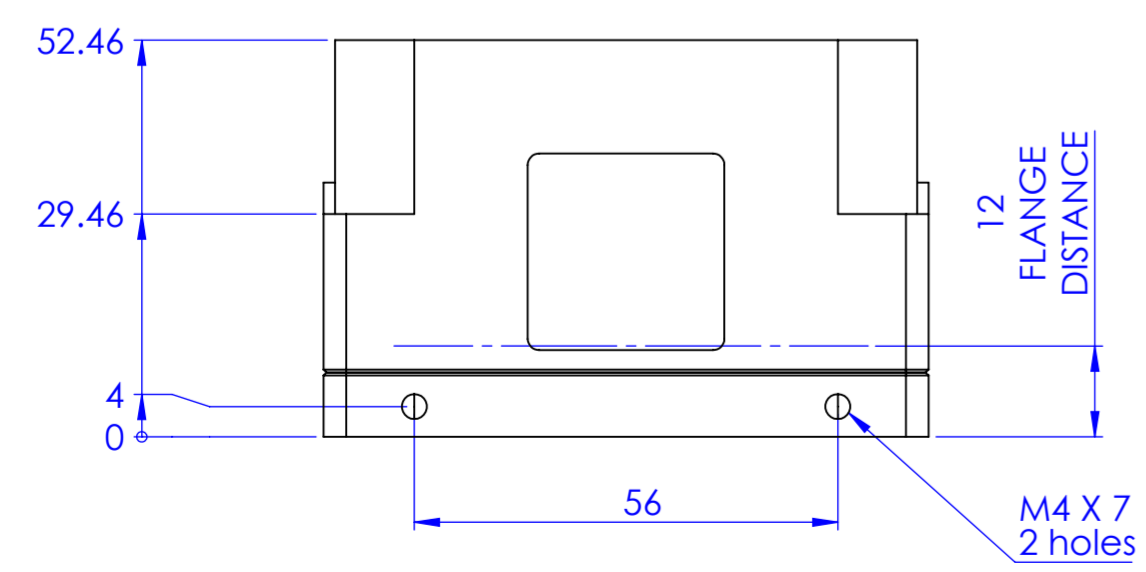


FOR MISSING DIMENSIONS SEE DW29342-A.STEP

Rev No.	Description	Date	Name



4 X Camera Link
MDR Connectors



Material Materiale <non specificato>		Mass 0 g	Scale 1:1
Surface treatment N.A.		Part No. CO29342	
Geometrical tolerance (ISO 2768-2)		Class	K
Linear tolerance (ISO 2768-2)		Class	m
0.5 +3	>3+ 6	>6+ 30	>30+ 120
±0.1	±0.1	±0.2	±0.3
		±0.5	±0.8
		±1.2	±2
Undimensioned bevels 0.5x45°		Undimensioned radii R 0.5	
Description COE8KLSMCL-G		Drawing No. DP 29342-A	
Date 30/07/2019		Name Rodella	
Date 30/07/2019		Name Rodella	
Date 31/07/2019		Name Ccharly	
OPTO ENGINEERING S.r.l. - Mantova Italy - Tel. +39 0376 699111 - www.opto-engineering.com			
Sheet 1/1		<small>Secret and confidential - All rights reserved - No copy, dissemination or circulation is allowed unless specifically authorized in writing by OPTO ENGINEERING S.r.l. - Any violation shall be legally prosecuted.</small>	

all dimensions are in mm